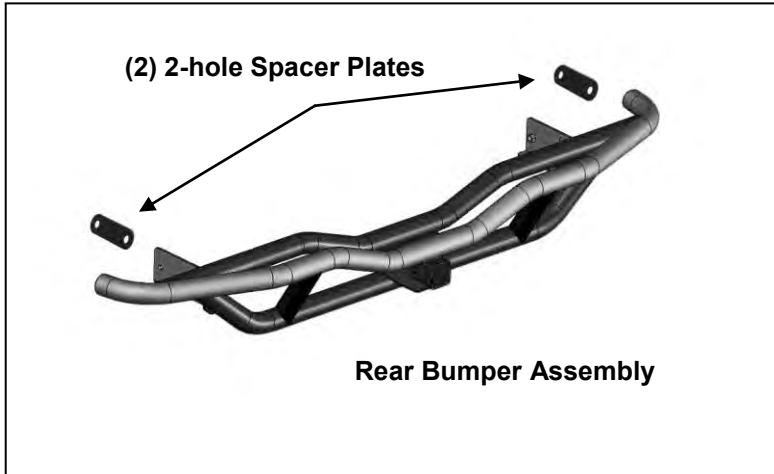


Installation Instructions

PART# BBR-WRG07BK-A-WB
ROCK CRAWLER REAR BUMPER FOR
JEEP WRANGLER JK 07-16

PARTS LIST:

1	Rear Bumper Assembly	4	12mm Lock Washers
4	12-1.75mm x 35mm Hex Bolts	2	(2) Hole Spacer Plates
4	12mm Flat Washers		



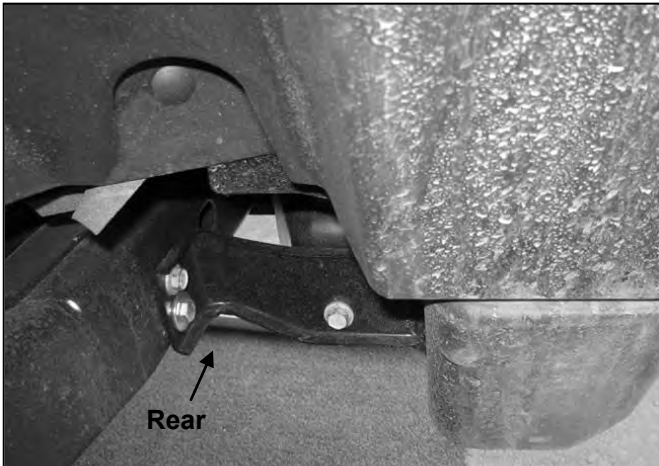
PROCEDURE:

WARNING: ALLOW TIME FOR THE MUFFLER TO COMPLETELY COOL BEFORE REMOVING REAR BUMPER. FACTORY TOW HITCH MUST BE REMOVED. DO NOT EXCEED THE MANUFACTURER'S MAXIMUM TOWING CAPACITY. TIRES TALLER THAN 33" MAY NOT CLEAR THE BUMPER.

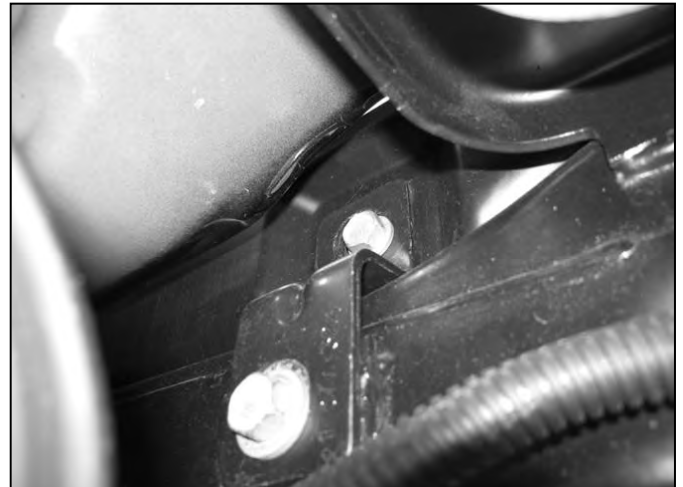
- 1. REMOVE CONTENTS FROM BOX. VERIFY ALL PARTS ARE PRESENT. READ INSTRUCTIONS CAREFULLY BEFORE STARTING INSTALLATION.**
- Remove the factory bumper by removing the hardware securing the outer support brackets to the bumper, **(Figure 1)**, and the two inner brackets behind the factory bumper, **(Figure 2)**.
- Once the bumper has been removed, remove both outer support brackets from the ends of the frame, **(Figure 3)**.
- Remove the tow hook and mounting plate from the bottom of the frame if equipped, **(Figures 4 & 5)**.
- With assistance, carefully slide the mounting tabs on the Rear Bumper into the open ends of the frame on both sides. Line up the threaded holes in the mounting tabs with the factory holes in the sides of the frame, **(Figure 5)**.
- Position (1) Washer Plate onto the outside of the frame over the mounting holes, **(Figure 6)**. Align holes on the Washer Plate with holes on the frame and the mounting tab on the Bumper. Insert (2) 12mm x 35mm Hex Bolts, (2) Lock Washers, and (2) 12mm Flat Washers through the Washer Plate and into the tab on the Bumper, **(Figure 6)**. Do not tighten hardware at this time.
- Repeat **Steps 5 & 6** to attach the passenger side of the Bumper.
- Level and adjust the Rear Bumper and tighten all hardware at this time.
- Do periodic inspections to the installation to make sure that all hardware is secure and tight.

To protect your investment, wax this product after installing. Regular waxing is recommended to add a protective layer over the finish. Do not use any type of polish or wax that may contain abrasives that could damage the finish.

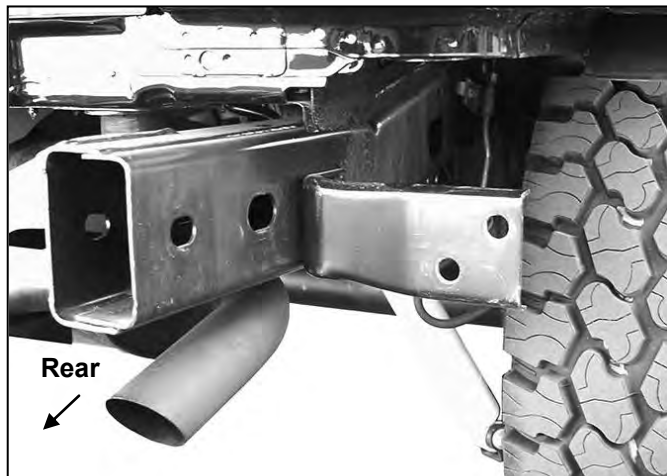
For gloss black finishes: Mild soap may be used to clean Bumper.



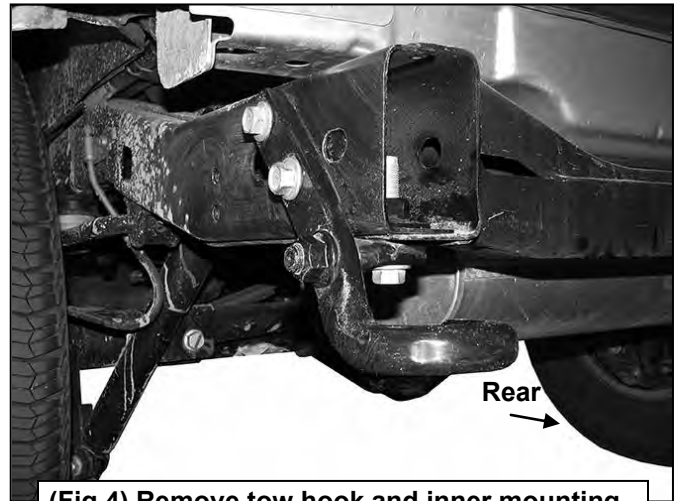
(Fig 1) Unbolt bumper from support brackets
(Driver side pictured from behind tire)



(Fig 2) Remove center mounting bolts behind bumper



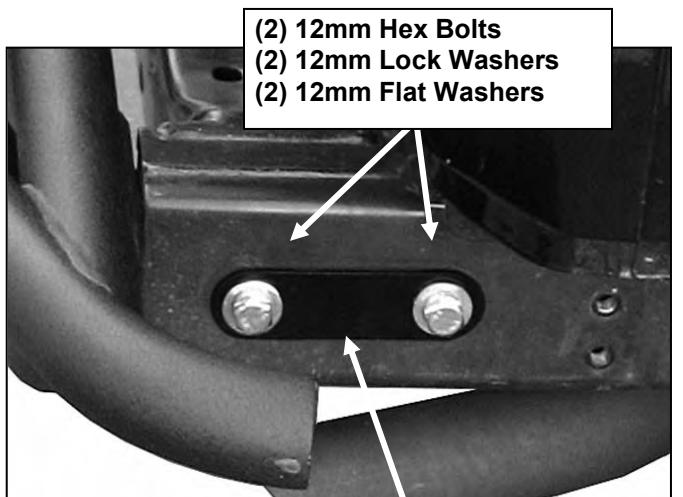
(Fig 3) Remove driver and passenger side outer bumper support brackets (Passenger side pictured)



(Fig 4) Remove tow hook and inner mounting plate from driver side if equipped



(Fig 5) Insert mounting tabs on Bumper into frame
(Driver side pictured)



(Fig 6) Use Spacer Washer to cover large openings in side of frame (Passenger side pictured)