

INSTALLATION INSTRUCTIONS

SIDEBAR

95-99 CHEVY TAHOE (4 DOOR)

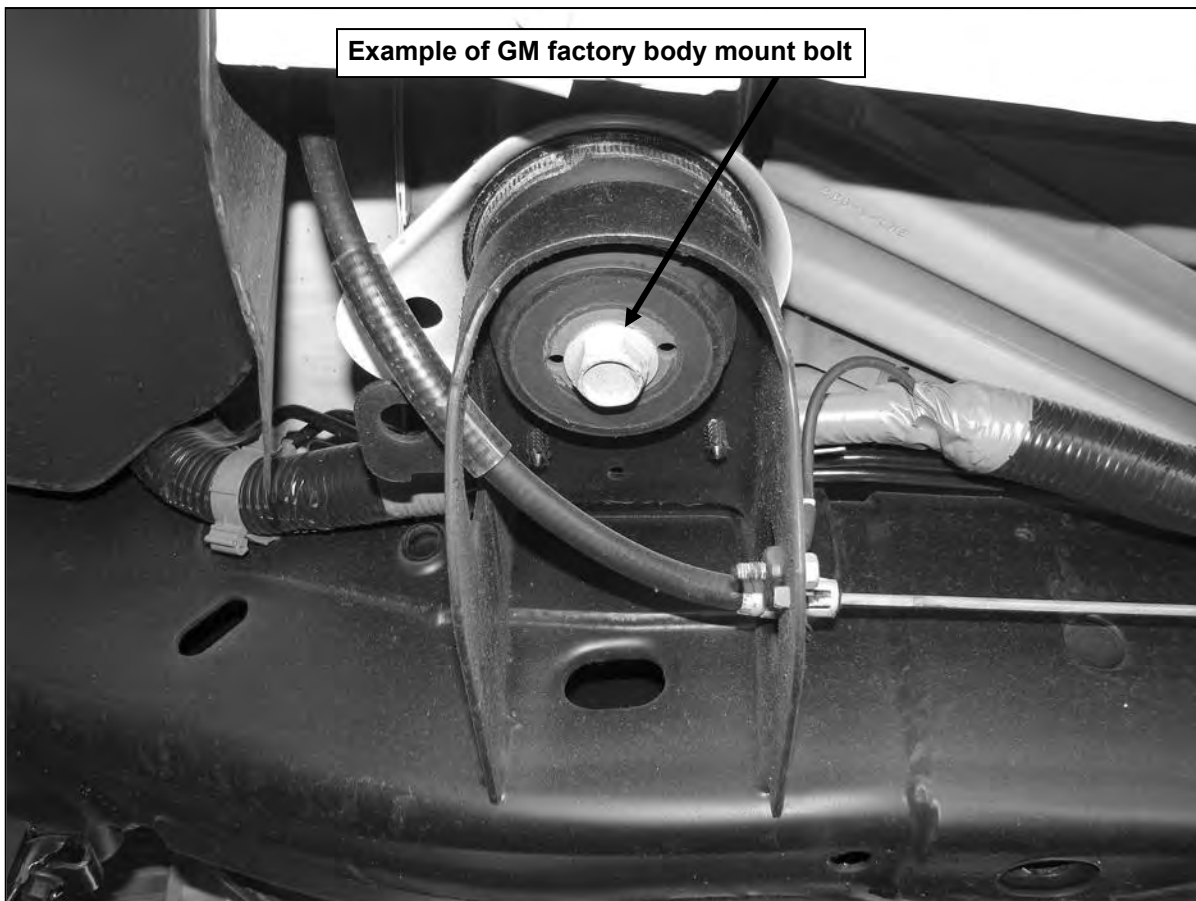
PART# SSB3-TAH954S2-WB SSB3-TAH954BK-WB

IMPORTANT ALERT: GM uses a very strong thread-locking compound on all body bolts. Use of an air assisted impact ratchet can cause damage to the threads on factory body mount bolts and the internal nut assembly because of this thread locking compound.

We only recommend the use of hand tools to slowly remove and reinstall body mount bolts on all GM vehicles.

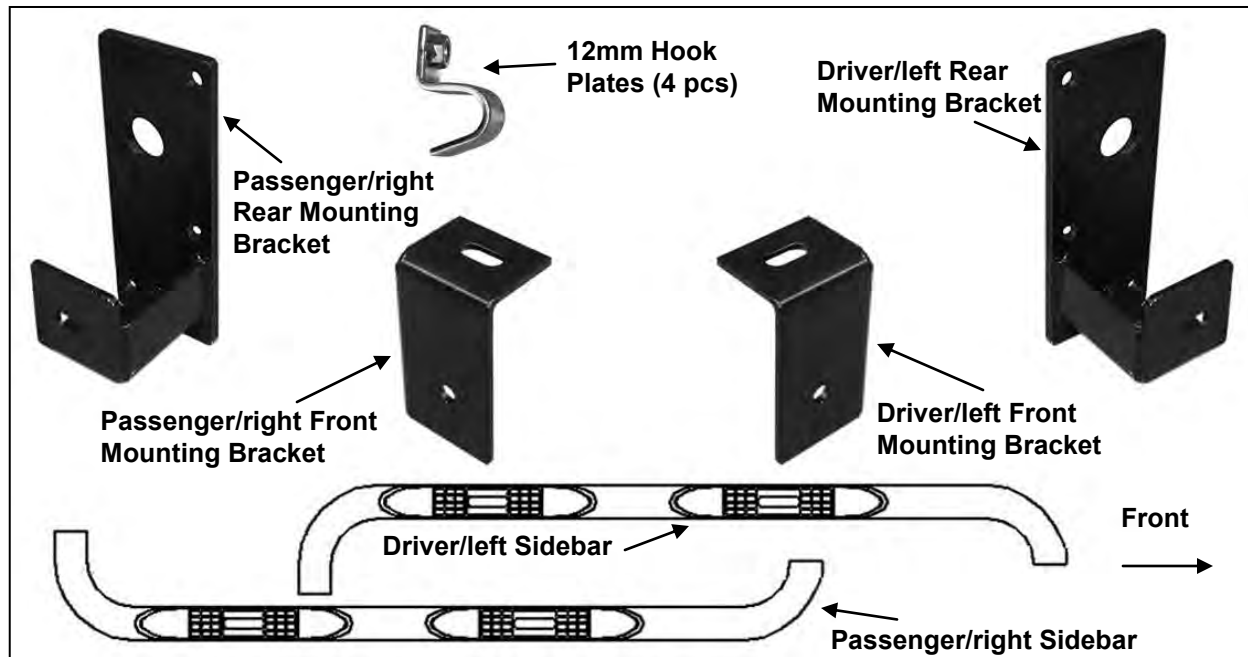
PROCEDURE:

CRITICAL INFORMATION: If during the removal process, it becomes increasingly difficult to unscrew the body mount bolt with hand tools, tighten the bolt several rotations to clear the thread locking compound from the threads, then reverse direction and continue to unscrew until the body mount bolt is out. Repeat this process as necessary on all GM body mount bolts. Use of an appropriate anti-seize compound is highly recommended for re-installation. Tighten body mount bolt to factory torque specifications for your particular model year.



PARTS LIST:

1	Driver/Left Sidebar	4	1/2" x 2" Hex Bolts
1	Passenger/Right Sidebar	4	1/2" Lock Washers
1	Driver/Left Front Mounting Bracket	4	1/2" x 1-1/2" OD x 1/8" Flat Washers
1	Passenger/Right Front Mounting Bracket	2	12-1.75mm x 120mm x 35mm Hex Bolts
1	Driver/Left Rear Mounting Bracket	4	12-1.75mm x 45mm Hex Bolts
1	Passenger/Right Rear Mounting Bracket	6	12mm Lock Washers
4	12mm Hook Plates	2	12mm x 37mm x 3mm Large Flat Washers
		4	12mm x 24mm x 2.5mm Small Flat Washers



PROCEDURE:

- 1. REMOVE CONTENTS FROM BOX. VERIFY ALL PARTS ARE PRESENT. READ INSTRUCTIONS CAREFULLY BEFORE STARTING INSTALLATION.**
- Starting on the driver side of the vehicle, locate and remove the factory front body mount bolt.
- Select the driver/left front Bracket. Attach the Bracket to the body mount with the included (1) 12mm x 120mm Hex Bolt, (1) 12mm Lock Washer and (1) 12mm x 37mm Large Flat Washer, **(Figure 1)**. Do not fully tighten hardware at this time. **NOTE:** Front brackets (only) can be swapped passenger side to driver side if necessary to clear the emergency brake cable.
- Move along the side of the vehicle to the rear mounting location at the front of the leaf spring mount. Select (1) 12mm Hook Plate, **(Figure 2A)**. Hook the Hook Plate onto the top edge of the frame, **(Figure 2B)**. Position the driver side rear Mounting Bracket up against the frame between the leaf spring and frame, **(Figures 3A & 3B)**. Attach the rear Bracket to the top Hook Plate with (1) 12mm x 45mm Hex Bolt, (1) 12mm Lock Washer and (1) 12mm x 24mm Small Flat Washer, **(Figure 4)**. Leave hardware loose at this time.
- Select (1) Hook Plate. Hook the Hook Plate over the bottom edge of the frame, **(Figure 2B)**. Repeat **Step 4** to attach the bottom of the rear Bracket to the Hook Plate, **(Figures 3B & 4)**. **NOTE:** Make sure the clearance holes in the rear Mounting Bracket are lined up with the factory fasteners in the frame. **IMPORTANT!** Adjust the location of the bottom Hook Plate away from the emergency brake cable. Do not tighten hardware at this time.

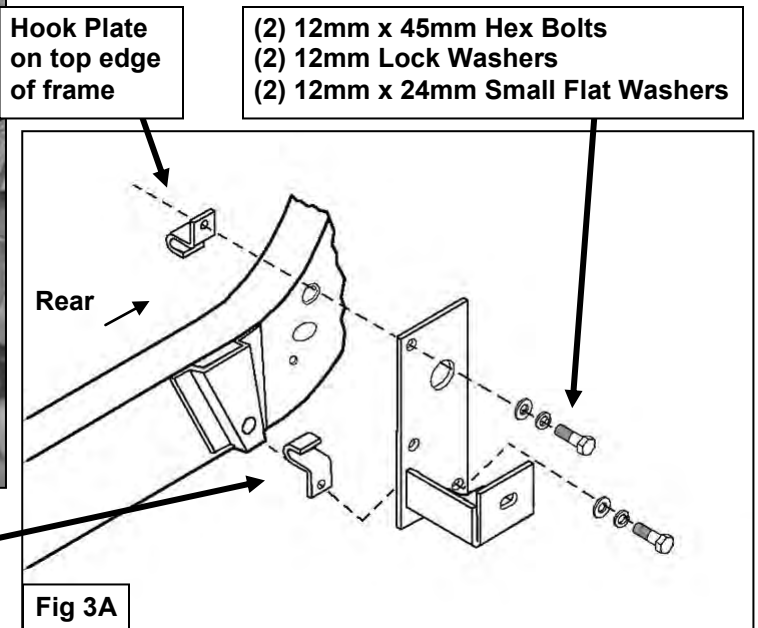
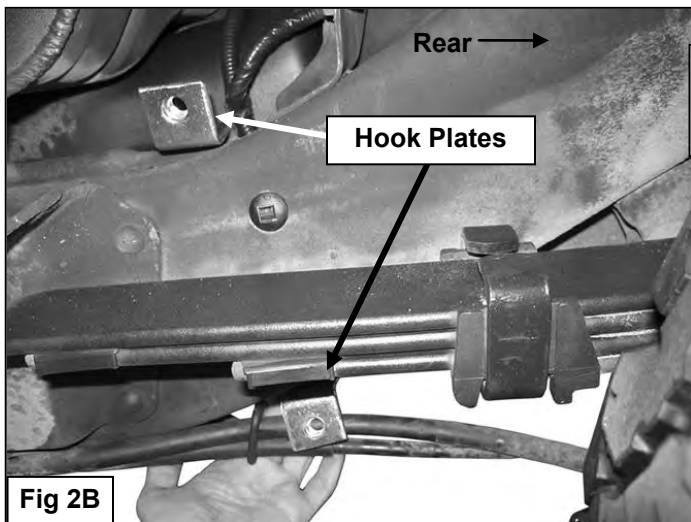
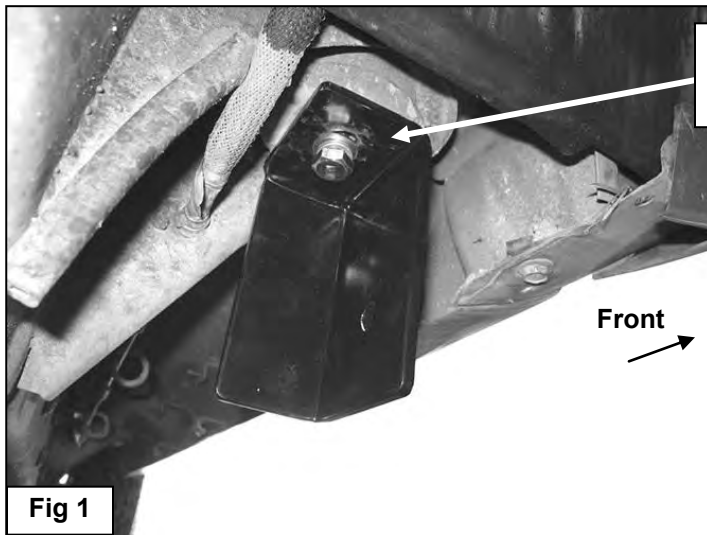
- Next, select the driver Sidebar. Attach the Sidebar to the Mounting Brackets with the included (2) Larger 1/2" x 2" Hex Bolts, (2) 1/2" Lock Washers and (2) 1/2" Flat Washers, (**Figure 5 & 6**). Do not tighten at this time.
- Level and adjust the Sidebar properly and fully tighten all hardware at this time.
- Repeat **Steps 2—7** for passenger Sidebar installation.
- Do periodic inspections to the installation to make sure that all hardware is secure and tight.

To protect your investment, wax this product after installing. Regular waxing is recommended to add a protective layer over the finish. Do not use any type of polish or wax that may contain abrasives that could damage the finish.

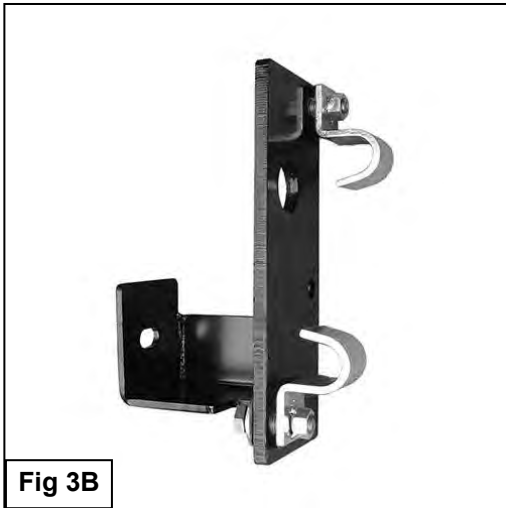
For stainless steel: Aluminum polish may be used to polish small scratches and scuffs on the finish. Mild soap may be used also to clean the Sidebar.

For gloss black finishes: Mild soap may be used to clean the Sidebar.

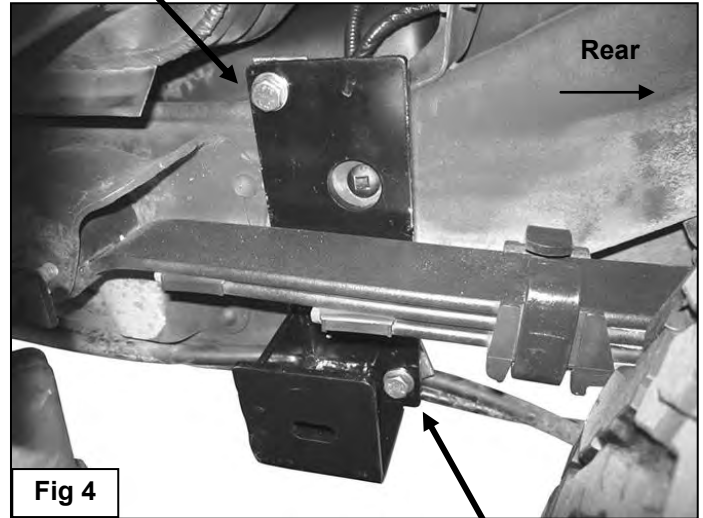
Driver Side Installation Pictured



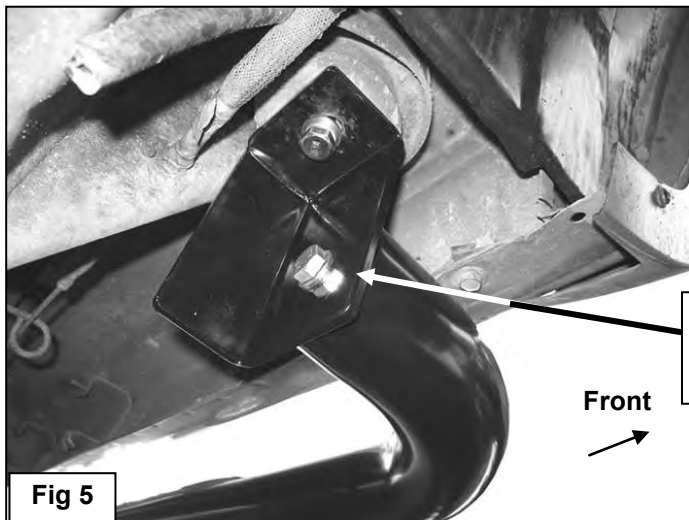
Driver Side Installation Pictured



- (2) 12mm x 45mm Hex Bolts
- (2) 12mm Lock Washers
- (2) 12mm x 24mm Small Flat Washers



- (2) 12mm x 45mm Hex Bolts
- (2) 12mm Lock Washers
- (2) 12mm x 24mm Small Flat Washers



- 1/2" x 2" Larger Hex Bolt
- 1/2" Lock Washer
- 1/2" Flat Washer

